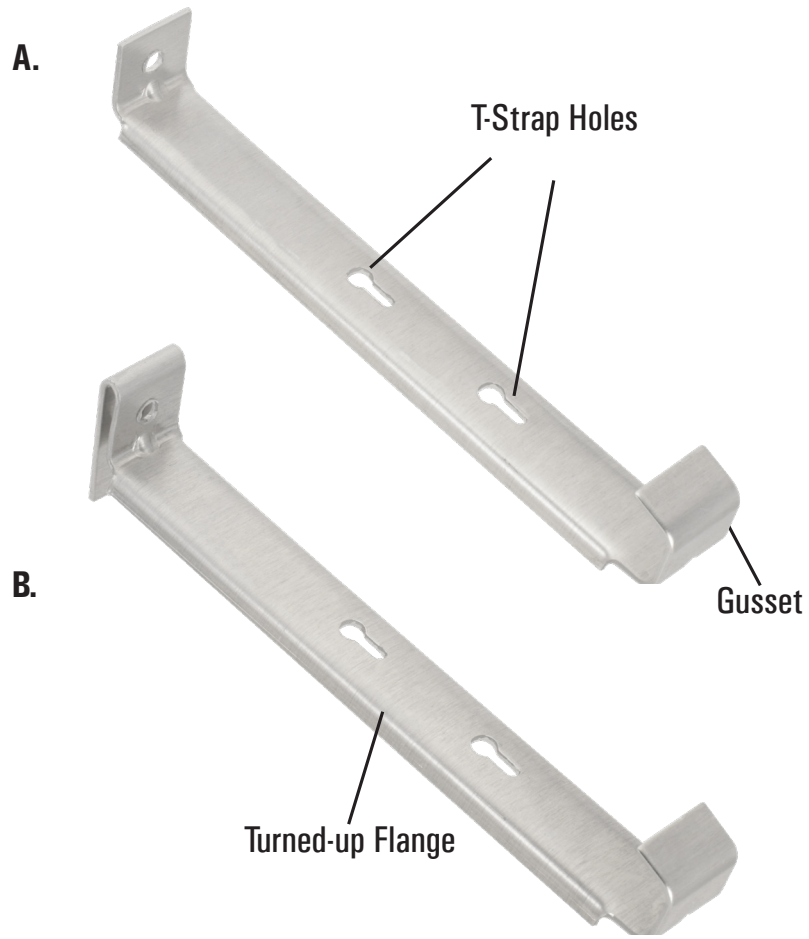


STANDARD SPECIFICATIONS

GK16 FOR K-STYLE

ALUMINUM HIDDEN GUTTER HANGERS



Standard Hangers:

- 5" and 6"
- A. Without clip
- B. With clip

Use:

Secures gutter to fascia

Feature:

The GK16 hidden hangers are made from high-strength, corrosion-resistant .060 aluminum. These economical hangers are designed with T-slots for reinforced strap. Available in 5" and 6" with and without clip.