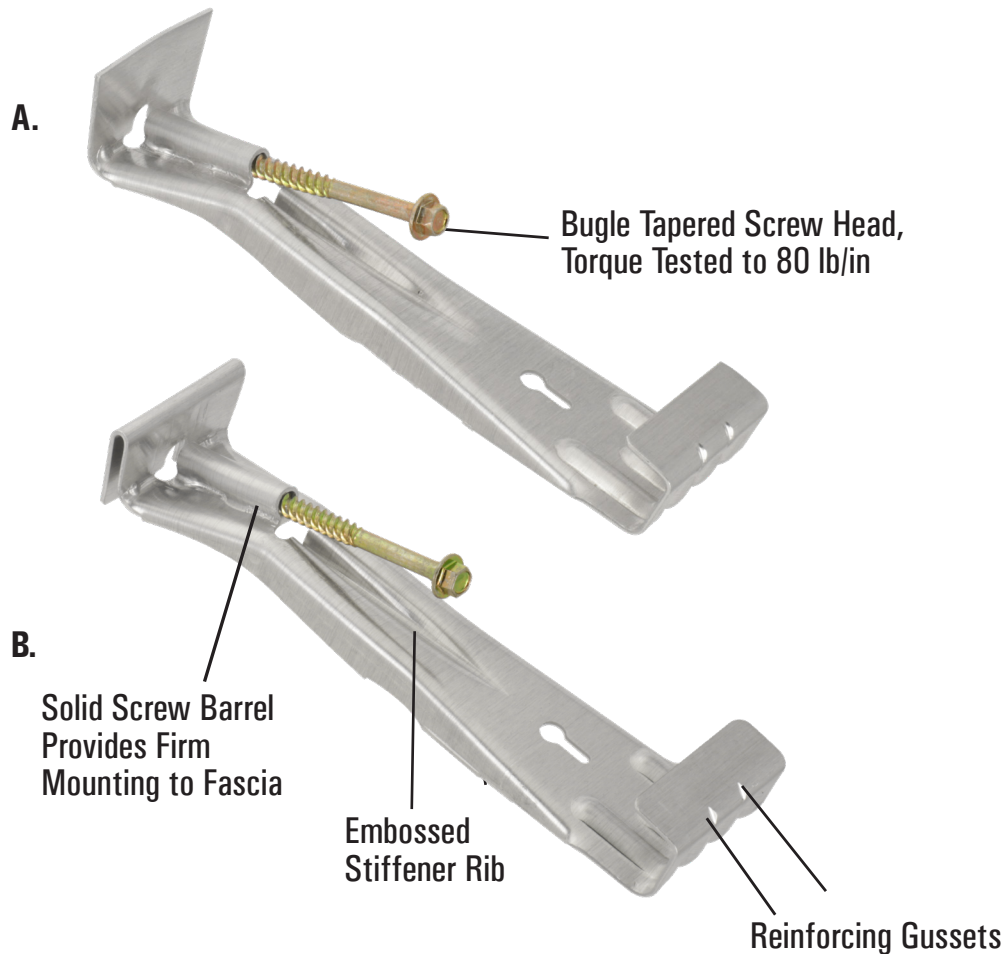


STANDARD SPECIFICATIONS

GK34 FOR K-STYLE

ALUMINUM HIDDEN GUTTER HANGERS



Standard Hangers:

5" and 6"

A. Without clip

B. With clip

Use:

Secures gutter to fascia

Feature:

The GK34 hidden hangers are made from high-strength, corrosion-resistant .047 aluminum. The hanger features a screw-locking dimple, reinforcing corner gussets, embossed stiffener rib, solid screw barrel, and bugle-tapered screw head. These make for a fast, easy installation and upkeep and proven hanger strength. The highest performance, premium strength hangers. Available in 5" and 6" with and without clip.