

STANDARD SPECIFICATIONS

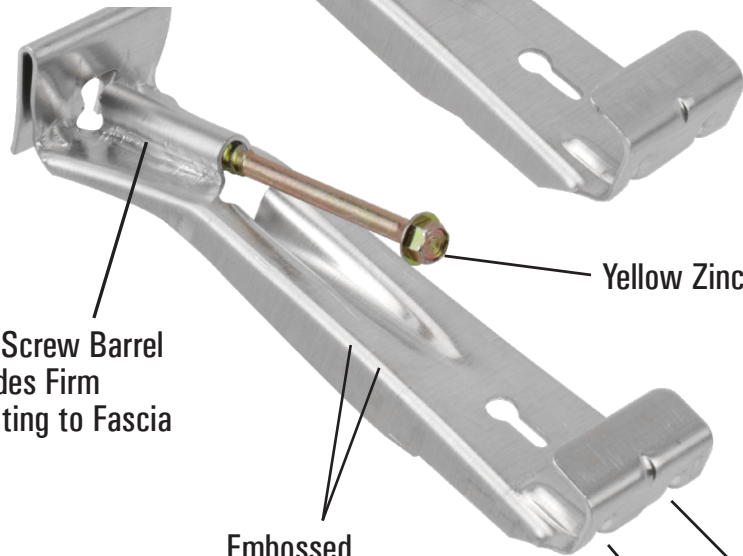
GK36 FOR K-STYLE

ALUMINUM HIDDEN GUTTER HANGERS

A.



B.



Solid Screw Barrel
Provides Firm
Mounting to Fascia

Embossed
Stiffener Rib

Yellow Zinc Screw

Reinforcing Gussets

Standard Hangers:

5", 6", and 7"

A. Without clip

B. With clip

Use:

Secures gutter to fascia

Feature:

The GK36 Series hidden hangers are made from .047 aluminum. The hanger features a pre-loaded yellow zinc screw, solid screw barrel with screw-locking dimple, reinforcing corner gussets and embossed stiffener rib. These make for a fast, easy installation and upkeep and proven hanger strength. The highest performance, premium strength hangers. Available in 5", 6" and 7" with and without clip in aluminum, solid copper and galvalume plus.