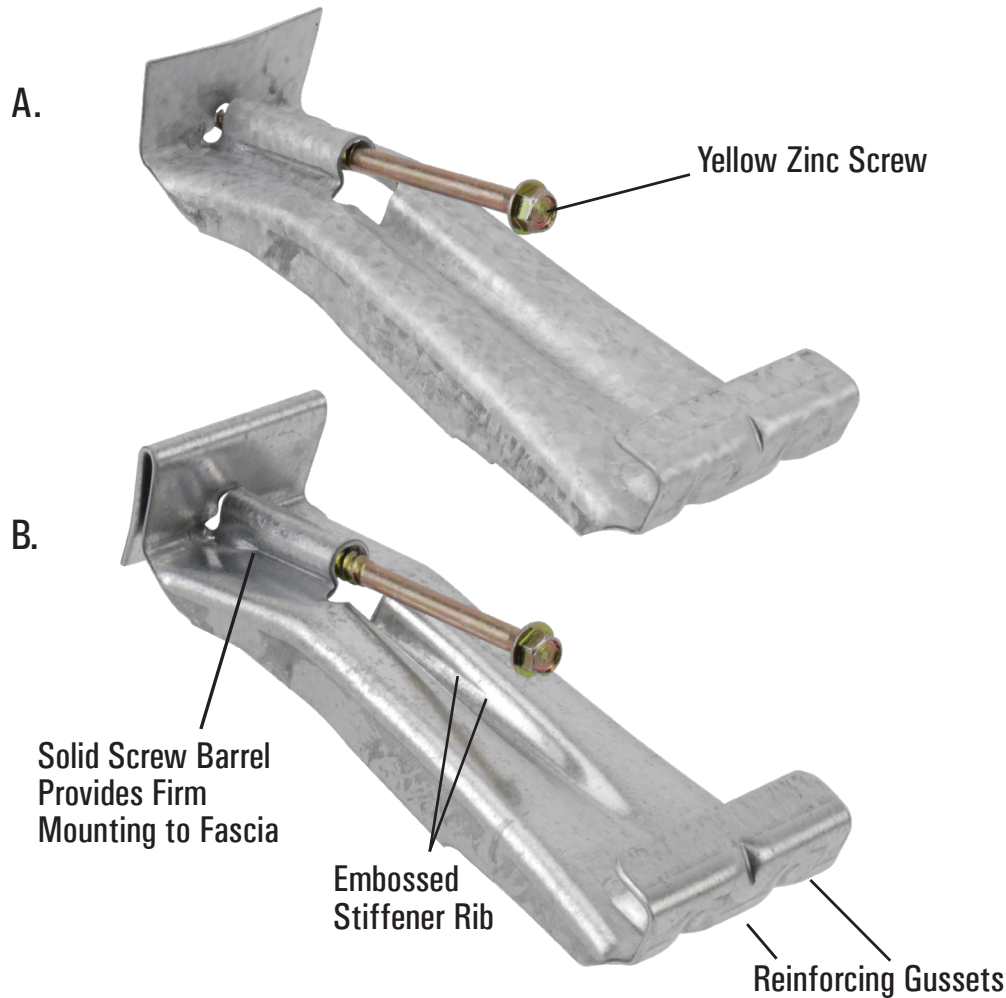


STANDARD SPECIFICATIONS

GK38 FOR K-STYLE

GALVALUME PLUS HIDDEN GUTTER HANGERS



Standard Hangers:

5", 6", and 7"

A. Without clip

B. With clip

Use:

Secures gutter to fascia

Feature:

The GK38 Series hidden hangers are made from .050 galvalume plus. The hanger features a pre-loaded yellow zinc screw, solid screw barrel with screw-locking dimple, reinforcing corner gussets and embossed stiffener rib. These make for a fast, easy installation and upkeep and proven hanger strength. The highest performance, premium strength hangers. Available in 5", 6" and 7" with and without clip in aluminum, solid copper and galvalume plus.